



coinco®

The 9300-CL Coin Changer (110 Volt)

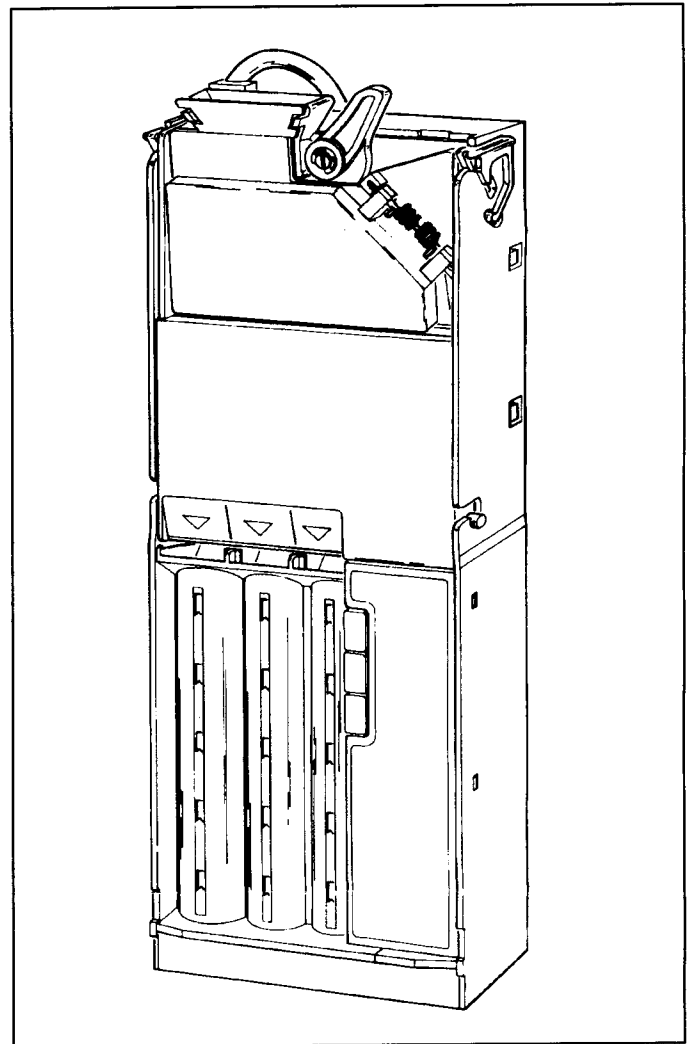
Features

- Accepts the U.S. nickel, dime and quarter coin.
- Accepts the Canadian nickel, dime, quarter, one dollar and two dollar coin.
- Pays out nickels, dimes and quarters from self-loading, high-capacity change tubes in the least number of coins available.
- Select high or low quarter tube level with the flip of a switch.
- Dollar coins and/or Canadian coins can be rejected by simply flipping a switch.
- Heavy duty D.C. payout solenoids provide fast, accurate payout.
- State-of-the-art electronic logic system is designed for reliability and performance. The plug-in module is warranted for two years.
- Lightweight, rugged plastic construction provides dependable, maintenance-free service.
- Provides the fastest and most accurate coin acceptance of any electronic unit available today.

CAUTION: Do not plug or unplug changer with power applied.

Installation Instructions

1. Remove the acceptor from the changer by releasing acceptor studs from changer latches and pulling the top of the acceptor forward and away from changer. Unplug ribbon cable from changer. Free lower acceptor studs from changer housing. With the acceptor removed, set key holes in back of changer housing over the mounting screw in the vendor. Tighten snugly.
2. Set the desired changer options (see "Option Switch Setting").
3. Replace the acceptor by inserting bottom acceptor studs into changer housing guides. Plug the acceptor ribbon



cable into the changer. Press top of acceptor into changer housing until top acceptor studs lock into changer's acceptor latches.

4. Plug changer into 12-pin vendor socket.
5. Load coin tubes making sure all coins lie flat.
6. Test changer with a variety of coins to ensure proper operation.

Option Switch Setting

1. Unplug the coin changer.
2. Remove the acceptor.
3. Located in the upper portion of the changer is a single switch module with three rocker switches (see Figure 1). When the top of the rocker switch is pushed in, it is in the ON position. The switches correspond as follows:

1-USA/CAN

- ON:** U.S. and Canadian coins will be accepted.
OFF: Canadian coins will be rejected.

2-LO 25¢

- ON:** Quarters are directed to cashbox once change tube has approximately 20-22 quarters.
OFF: Quarters are put into change tube until change tube is full.

3-\$2 COIN ACCEPT

- ON:** Accepts the Canadian \$2 coin.
OFF: Rejects the Canadian \$2 coin.

4. Replace the acceptor.
5. Plug changer into vendor 12-pin socket.
6. Test with a variety of coins to ensure proper operation.



COIN ACCEPTORS, INC.
300 Hunter Avenue
St. Louis, MO 63124
(314) 725-0100

COIN ACCEPTORS CANADA
237 Finchdene Square
Scarborough, ON M1X 1B9
(416) 297-5520

**THIS COINCO PRODUCT IS COVERED BY
THE FOLLOWING PATENTS:**

United States
4,254,857 4,646,904
Canada
1,121,873 1,251,862

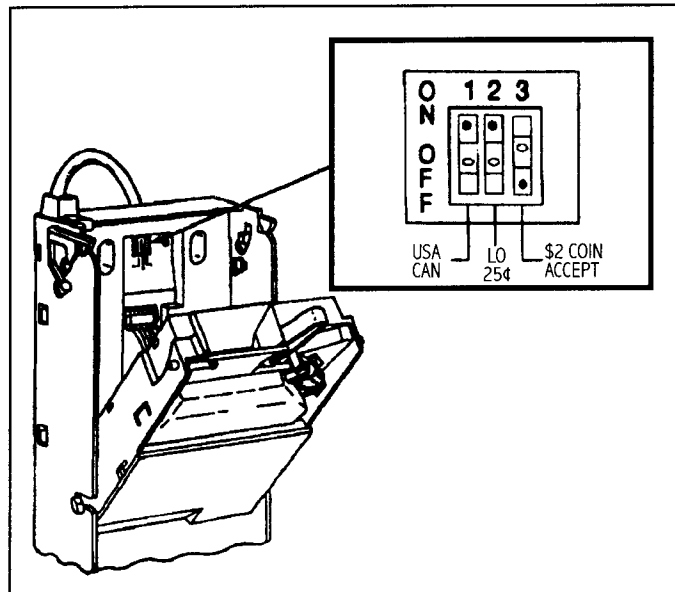


Figure 1